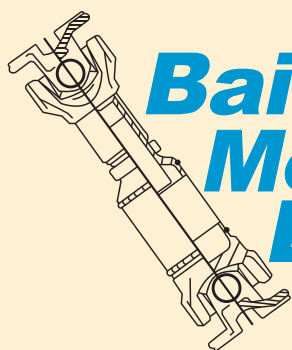


Heritage & **SPEED**



**Bailey
Morris
Limited**

www.baileymorris.co.uk



About Bailey Morris

Established in 1977, Bailey Morris Ltd is the U.K's foremost specialist propshaft company. With facilities in both Cambridgeshire and West London (Feltham), we can ensure that our extensive stock provides the widest choice of leading brand products sourced from the world's foremost original equipment component manufacturers.

Manufacturing

- Wide range of propshafts for all applications. HGV, LCV, classic car, motorsport, 4x4, engine test cells, industrial, marine, off-highway and construction
- Flexible capacity caters for single shafts and batch work
- Service includes new propshafts, repairs, remanufacture, modification and upgrades
- Original equipment, aftermarket and custom build options
- 'All-Makes' propshaft programme

Distribution

- Comprehensive stock range covering 'All-Makes' propshafts and components
- Fast and efficient distribution service covering the U.K. and worldwide
- Original equipment and aftermarket options available
- Centre bearings, universal joints, flange yokes, slip-assemblies, coupling flanges and propshaft specification tube
- No minimum order quantities



Our Manufacturing Facility...



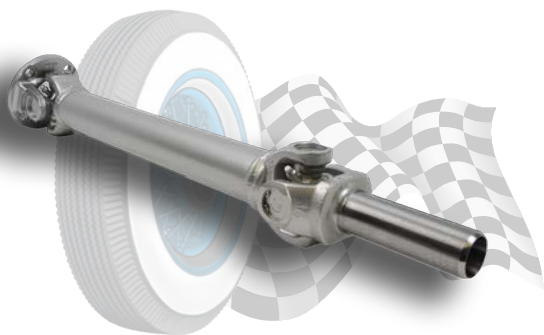
Our new fully enclosed spray booth facility...



One of our fully automated welding machines...



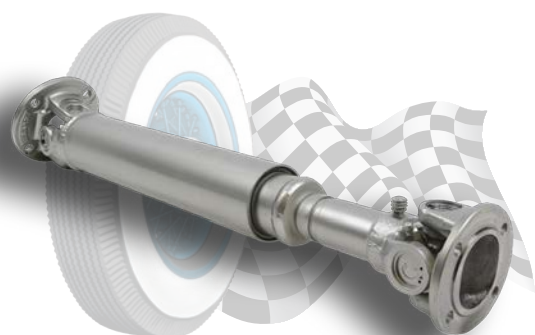
Heritage and **SPEED** Products - 1140



SINGLE PIECE SHAFT

The commonly found 1140 single piece shaft will handle most applications suitably well. Tubing options available up to 3" (76.2mm) and a number of flange options.

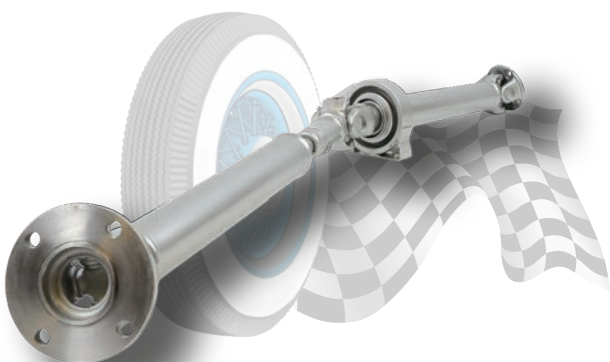
Part Number
14C-1



SINGLE PIECE SHAFT (TRT)

The 1140 single piece option but with torque resilient tubing. Suitable for bike engine applications.

Part Number
14AS-12

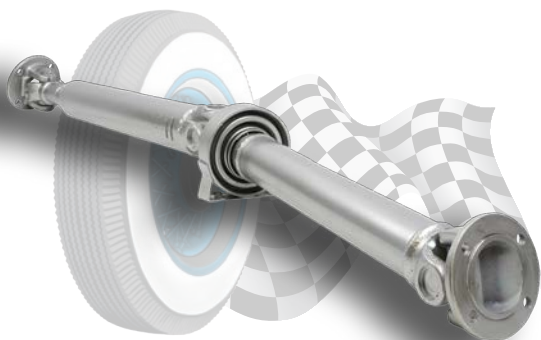


TWO PIECE SHAFT

When the gap is too long for a single piece option, it may be necessary to install a two-piece shaft. The 1140 two-piece shaft offers that solution.

Part Number
14D-3





TWO PIECE SHAFT (TRT)

The 1140 two-piece option but with torque resilient tubing. Suitable for bike engine applications.

Part Number
14D-5



UNIVERSAL JOINT

A Heritage & Speed heavy duty universal joint. Specially selected for motorsport and historic applications. BM230/1 is maintenance-free.

Part Number
BM230/1



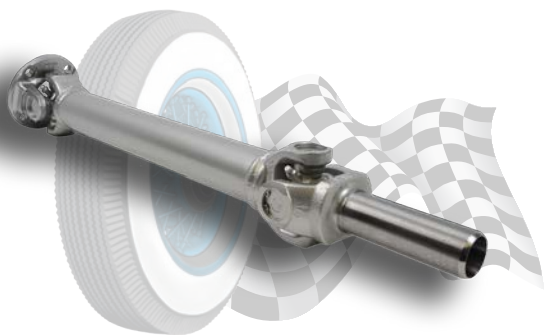
UNIVERSAL JOINT

A Heritage & Speed heavy duty universal joint. Specially selected for motorsport and historic applications. BM29/1 has a lubrication point.

Part Number
BM29/1



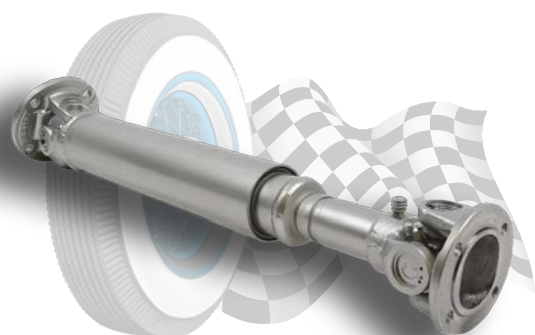
Heritage and **SPEED** Products - 1300



SINGLE PIECE SHAFT

The commonly found 1300 single piece shaft will handle most applications suitably well. Tubing options available up to 3.5" (88.9mm) and a number of flange options.

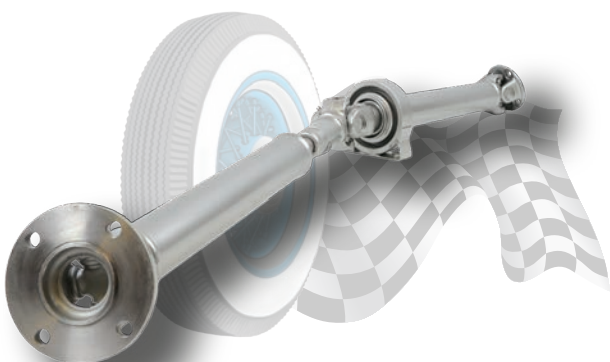
Part Number
30C-1



SINGLE PIECE SHAFT (TRT)

The 1300 single piece option but with torque resilient tubing. Suitable for bike engine applications.

Part Number
30AS-3

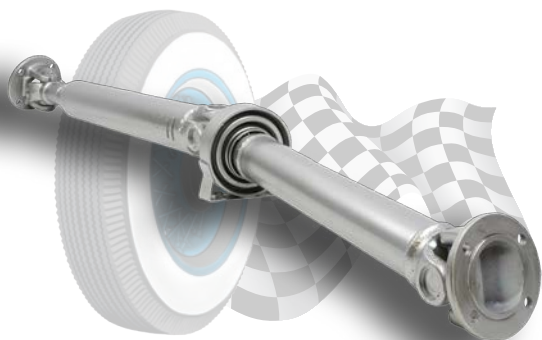


TWO PIECE SHAFT

When the gap is too long for a single piece option, it may be necessary to install a two-piece shaft. The 1300 two-piece shaft offers that solution.

Part Number
30D-1





TWO PIECE SHAFT (TRT)

The 1300 two-piece option but with torque resilient tubing. Suitable for bike engine applications.

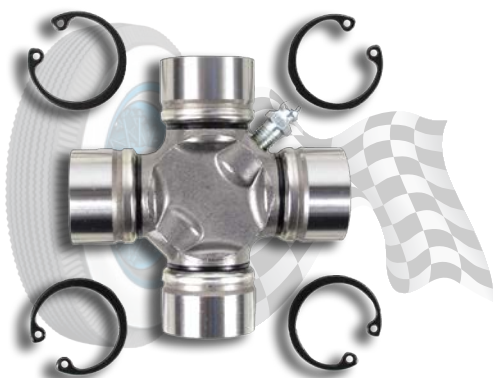
Part Number
30D-12



UNIVERSAL JOINT

A Heritage & Speed heavy duty universal joint. Specially selected for motorsport and historic applications. BM297/1 is maintenance-free.

Part Number
BM297/1



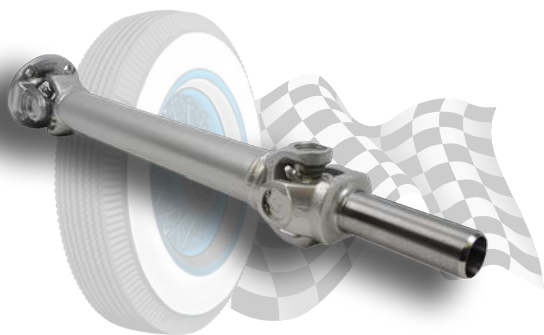
UNIVERSAL JOINT

A Heritage & Speed heavy duty universal joint. Specially selected for motorsport and historic applications. BM52/1 has a lubrication point.

Part Number
BM52/1



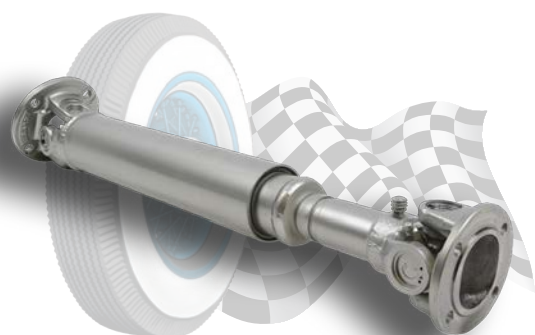
Heritage and **SPEED** Products - 1310



SINGLE PIECE SHAFT

The Heritage & Speed 1310 single piece shaft for heavier duty applications. Tubing options available up to 3.5" (88.9mm) and a number of flange options.

Part Number
31C-1



SINGLE PIECE SHAFT (TRT)

The 1310 single piece option but with torque resilient tubing. Suitable for bike engine applications.

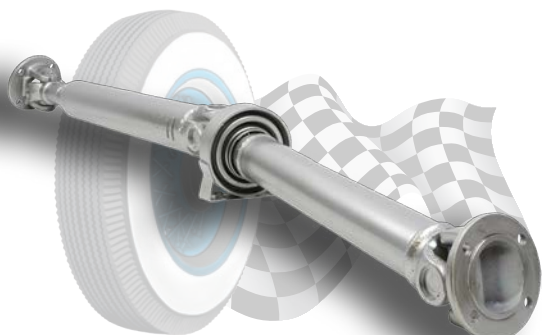
Part Number
31AS-23

TWO PIECE SHAFT

When the gap is too long for a single piece option, it may be necessary to install a two-piece shaft. The 1310 two-piece shaft offers that solution.

Part Number
31D-1





TWO PIECE SHAFT (TRT)

The 1310 two-piece option but with torque resilient tubing. Suitable for bike engine applications.

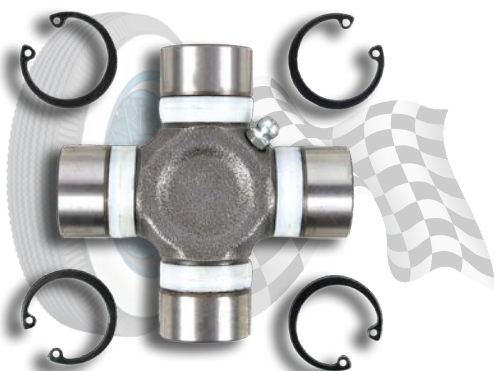
Part Number
31D-2



UNIVERSAL JOINT

A Heritage & Speed heavy duty universal joint. Specially selected for motorsport and historic applications. BM247 is maintenance-free.

Part Number
BM247



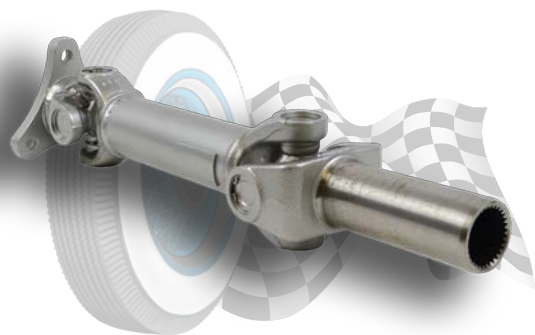
UNIVERSAL JOINT

A Heritage & Speed heavy duty universal joint. Specially selected for motorsport and historic applications. BM50/5 has a lubrication point.

Part Number
BM50/5



Heritage and **SPEED** *Special Options*



JAGUAR XJ40 RUBBER COUPLING REPLACEMENT

Specially designed and engineered to offer a universal jointed flange yoke to replace the Jaguar XJ40 rubber coupling.

Part Number
31C-2/1



IMAGE COMING SOON!

FORD/LOTUS CV REPLACEMENT

Designed to replace the 86mm PCD CV joint found on Ford and Lotus applications. Fitted with a universal joint.

Part Number
TBC....

HONDA S2000 CV REPLACEMENT

Designed to replace the CV joint found on Honda S2000's. The replacement flange will be fixed with a universal joint.

Part Number
30AS-21





**IMAGE COMING
SOON!**



BMW RUBBER COUPLING REPLACEMENT

Specially designed and engineered to replace the rubber coupling found on BMW applications. Fitted with universal joint.

Part Number
TBC...



COMPONENT LIGHTENING

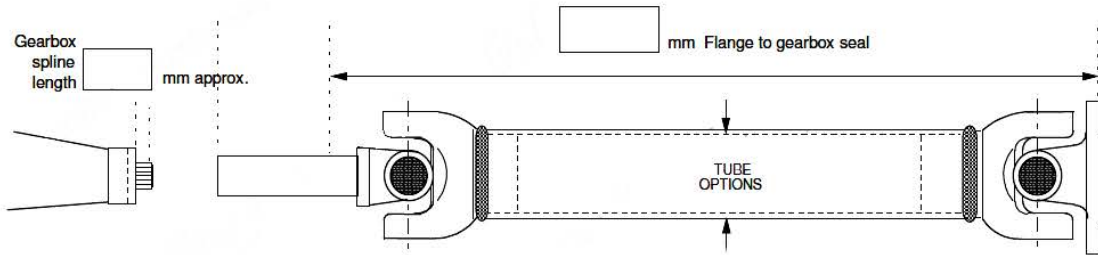
Specialist machining on the forging pieces to achieve weight saving. Total weight saved depends on application and may not always be possible. Speak with a specialist to find out more



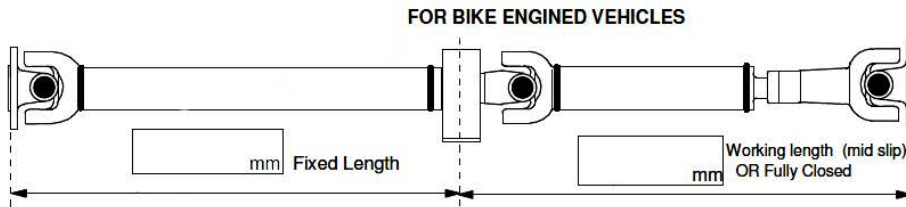


MEASURE

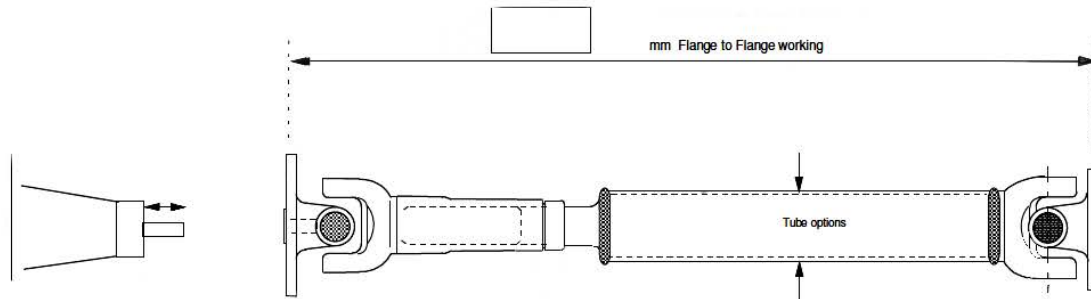
Option 1



Option 2

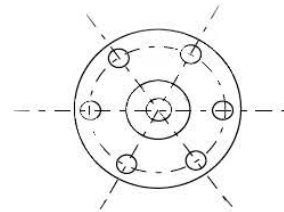
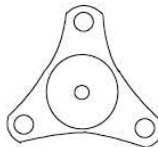


Option 3



109mm (Fy1.6) 56mm reg 4 bolt (10.1mm) 90mm p.c.d.	<input type="checkbox"/>	Ford
87mm (Fy1.1) 57mm reg 4 bolt (8.1mm) 69.85mm p.c.d.	<input type="checkbox"/>	1140
97mm (Fy1.12) 57mm reg 4 bolt (10.1mm) 75mm p.c.d.	<input type="checkbox"/>	Freelander
92mm (Fy1.5) 57mm reg 4 bolt (9.7mm) 76mm p.c.d.	<input type="checkbox"/>	Rover
<input type="text"/>	<input type="checkbox"/>	Other

Please advise Pin depth
Standard dia = 17mm
Please confirm



MT75 (gearbox) adaptor (direct replacement for rubber coupling)
96mm PCD 4 x 12..1mm holes

Tube options

50.8mm	<input type="checkbox"/>
63.5mm	<input type="checkbox"/>
76mm	<input type="checkbox"/>
Resilient 63mm	<input type="checkbox"/>

Possible speed limitations

Gearbox Sleeve

35mm dia. x 25 Teeth FORD

Other Please Specify type of box and sleeve dia.



2 CHOOSE COLOUR



Red



Blue



Grey



Black



Yellow



Green



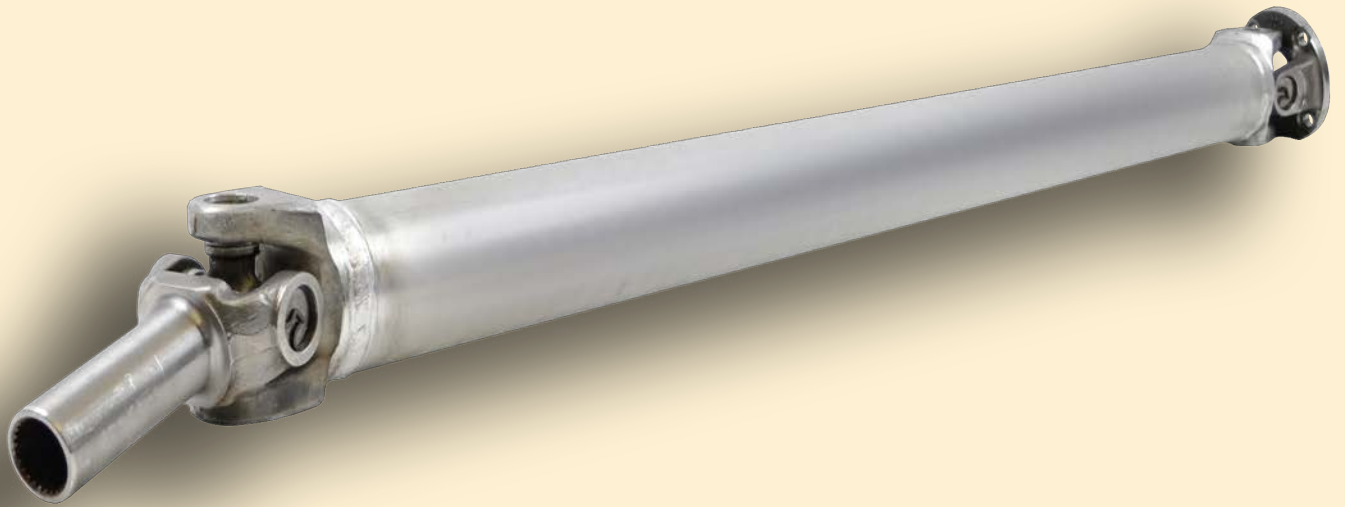
3 PLACE YOUR ORDER

EMAIL: SALES@BAILEYMORRIS.CO.UK

CALL: +44(0)1480 216250

FAX: +44(0)1480 403045

Coming Soon...
Our specialised range of
Aluminium Propshafts



Aluminium Propshaft Benefits

- *Light Weight*
- *Improved Performance*
- *Longevity*
- *Greater Stability*



Why choose *Heritage and* **SPEED?**

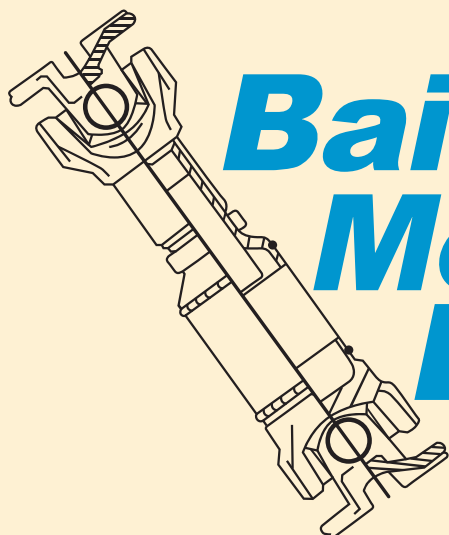
Features

- Custom propshafts for motorsport and classic car applications
- Lightweight propshafts and components
- Heavy duty propshafts and components
- High quality components
- Technical sales support
- Bespoke finishing and design

Applications

- Motorsport
- Custom builds
- Classic car applications
- Restorations
- Kit cars
- Vehicle upgrades





Bailey Morris Limited



**www.baileymorris.co.uk
+44(0)1480 216250
sales@baileymorris.co.uk**

8 Little End Road, St Neots, Cambs, PE19 8GE